

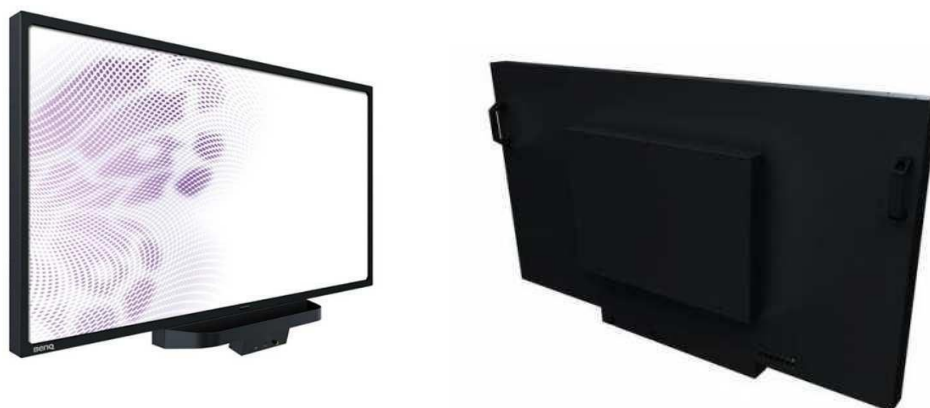
# BenQ RP551+

Codice: 9H.F0YTM.NE2



## Monitor interattivo multitouch 55"

---



### Specifiche tecniche

Pannello	Diagonale	55"
	Retroilluminazione	LED
	Risoluzione	FHD (1920x1080 pixel)
	Formato	16:9
	Luminosità	350 nits
	Rapporto di contrasto	1.400:1
	Angolo di visuale	178° (H) / 178° (V)
	Frame rate	60 Hz
	Tempo di risposta	8ms
	Durata media	50.000 (min)
	Orientamento	Landscape (orizzontale)
Touch	Tecnologia	Infrarossi
	Tocchi simultanei	6
	Risoluzione	32.767 x 32.767
Vetro	Spessore	5 mm Temperato
	Durezza	7 H
	Opacizzazione	80%

Audio	Speaker integrati	12W x 2
Misure	Dimensioni	1.271,4 x 833,13 x 210 mm
	Peso netto	45 Kg
Alimentazione	Consumo medio	<170W, 140W (Typ.)

## Interfacce

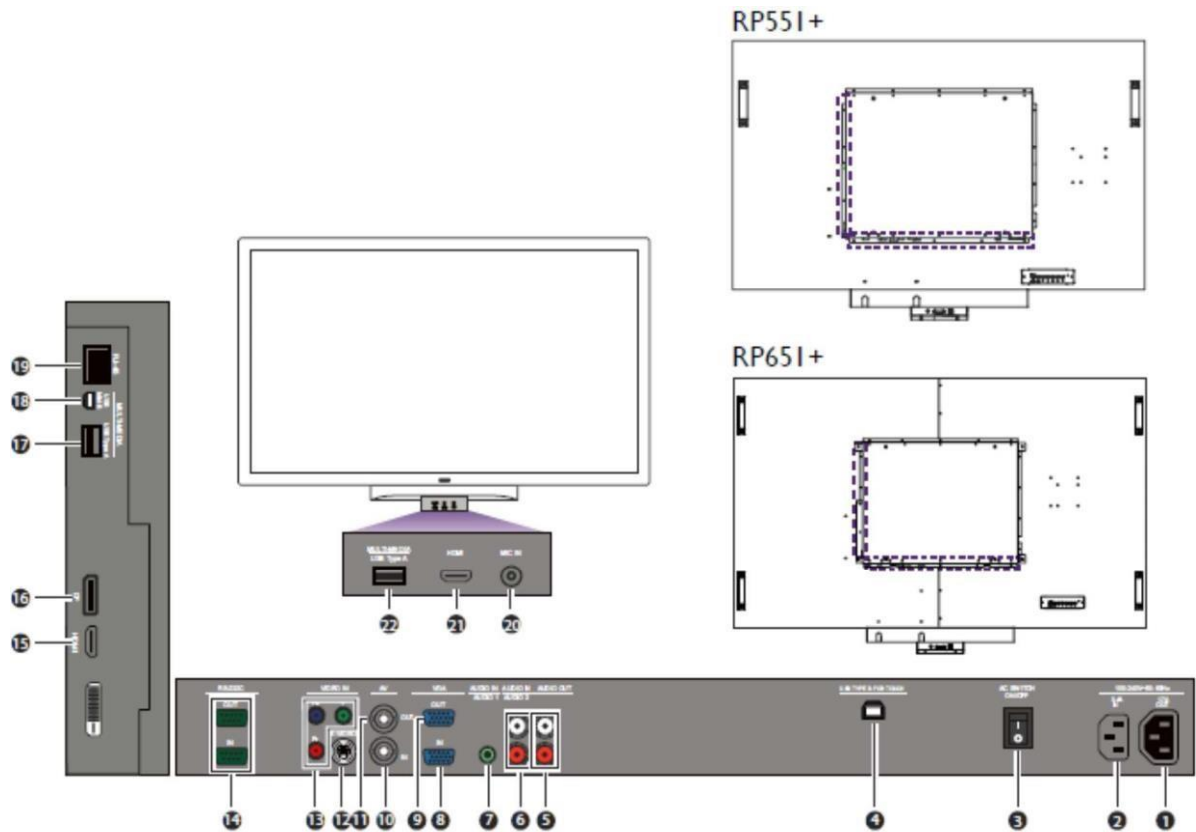
Input	Power (AC) Inlet	X1
	Audio line-in	X1
	Composite video (BNC)	X1
	Composite audio (RCA)	X1
	Component video (RCA)	X1
	D-sub	X1
	Type A HDMI	X2
	Type A USB	X1
	Mini B USB	X1
	RJ45	X1
	RS232	X1
	Microphone-in (1/4")	X1
	S-video	X1
	DisplayPort	X1
Output	Power (AC) outlet	X1
	Composite audio (RCA)	X1
	RS232	X1
	D-sub	X1
Altro	AC power switch	X1
	IR receiver	X1

## Accessori inclusi nella confezione

Telecomando con pile	X1
Cavo di alimentazione	X1
Penne	X2
Guida rapida	X1
Guida al collegamento audio	X1
Cavo USB (maschio/maschio)	X1
Cavo VGA (D-sub 15 pin)	X1

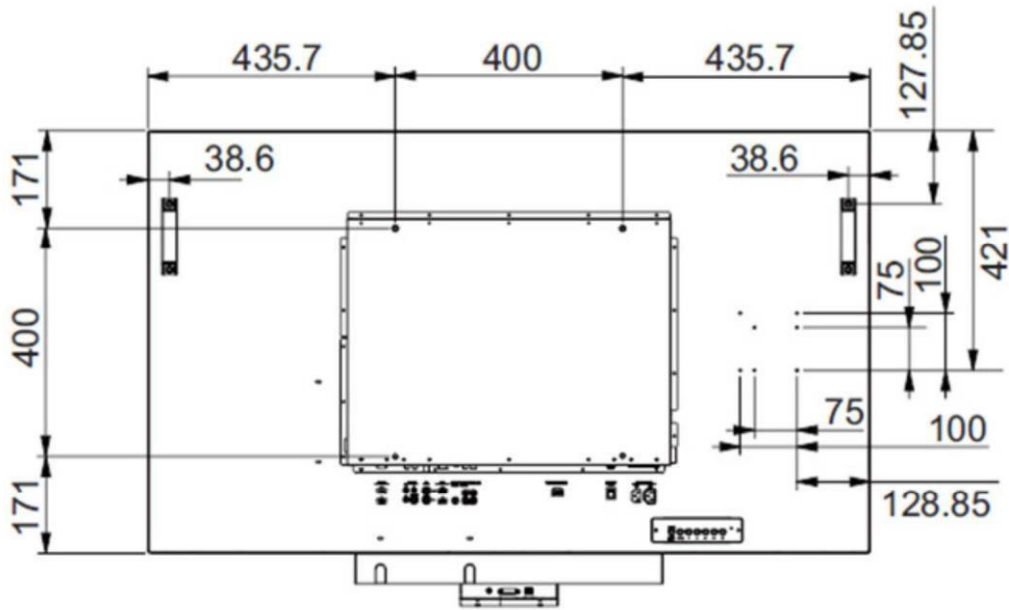
Codice DisplayNote	X1
Cavo audio	X1

## CONNESSIONI INPUT/OUTPUT



No.	Name	Description
1	AC OUT (1.7A)	Relays the AC power from the AC IN jack to another display.
2	AC IN (3.4A)	Connects to a power outlet via the supplied power cord.
3	AC SWITCH ON/OFF	Turns on or off the main power.
4	USB TYPE B FOR TOUCH	Connects the USB cable from the display to a computer to use the touch module.
5	AUDIO OUT (R/L)	Outputs audio signals to an external device.
6	AUDIO IN (AUDIO2)	Receives audio signals from an external device (such as a VCR or DVD player).
7	AUDIO IN (AUDIO1)	Receives audio signals from an external device (such as a computer).
8	VGA IN	Receives analog RGB signals from an external device (such as a computer).
9	VGA OUT	Outputs analog RGB signals from the VGA IN input to another display.
10	AV IN	Receives composite video signals from an external device (such as a VCR or DVD player).
11	AV OUT	Outputs composite video signals from the AV IN input to another display.
12	VIDEO IN (S-VIDEO)	Receives S-Video signals from an external device (such as a VCR or DVD player).
13	VIDEO IN (YPbPr)	Receives component video (YPbPr) signals from an external device (such as a DVD player, HDTV device or Laser disc player). For external control and multi-display operation.
14	RS232C IN/OUT	• RS232C IN: receives control signals from a computer or another display. • RS232C OUT: outputs control signals from the RS232C IN input to another display.
15 21	HDMI	Receives HDMI signals from an external device (such as a Blu-ray disc player).
16	DP (DisplayPort)	Connects to a DisplayPort compatible device.
17	USB Type A	Connects to a USB flash drive or WiFi dongle.
18 22	USB Mini-B	Connects to a computer for USB display.
19	RJ-45	Connects to the RJ-45 port on your Ethernet router.
20	MIC IN	Connects to a microphone.

WALLMOUNT



Unit: mm

## DIMENSIONI

