

**CTOUCH**<sup>®</sup> Smart innovation!

**Laser** 60 inch

Leddura

Lexinus

Mensa



## Laser Series

For when function matters.

High quality displays suitable for all applications. Stay connected with your audience and be utmost effective and efficient in a collaborative learning environment.

- Active IRO technology- best of both worlds; Infrared & Optical sensing
- 10 point touch- use 10 fingers at the same time
- Media usb- direct playback
- Anti glare safety glass- for a clear and save visual
- Best service & support- up to 6 years on site!
- Laser displays are available in the sizes 60 inch and 70 inch

**Product number**

- 10 Point touch - black bezel: 10051801
- 10 Point touch - white bezel: 10051802

**Touch system**

- Touch technique: Active IRO Technology<sup>®</sup>
- Touch points: 10 points
- Touch tool: Hand or other solid (soft tip) object
- Accuracy: ± 3 mm
- Read speed: More than 125 responses per second
- Response time: 7 ms
- Effective screen size: 1337 (W) x 760 (H)
- Interface: USB 1.1 compatible (full speed) using VID 0 x 2200 and PID 0 x 3100. HID compliant, Plug & Play compatible, USB 2.0 and USB 3.0
- Supported OS: Windows XP, Vista, 7, 8, 8.1 (32 & 64 bits), Mac OSX, Linux
- Touch driver: Not required

**Panel**

- Diagonal size: 59.58" (1513.397 mm)
- Panel resolution: 1920 x 1080 (IPS)
- Recommended resolution: 1920 x 1080 @ 120Hz
- Brightness (Nits) 350 cd/m<sup>2</sup>
- Contrast ratio: 1600 : 1
- Response time: 5 ms (Gray to Gray)
- Aspect ratio: 16 : 9
- Display colors: 1.06 Billion colors
- Pixel pitch (mm): 0,687 (W) x 0,687 (H)
- Back light unit: Edge type LED
- Anti reflective glass: Standard

**Connectivity**

- Video input (digital): HDMI x 2, USB (MP3, JPG)
- Video input (analogue): RGB (VGA) / Component / Composite video / S-Video
- Audio input: RCA L/R, mini-jack 3,5 mm
- Audio out: RCA L/R, optical
- USB (for touch): USB
- Network controllable input: RS232C

**Features / Convenience**

**VIDEO**

- PSM: Warm / Cool / Normal / User
- Picture mode: Wide / Zoom / Cinema / Original / Normal

**SOUND**

- Stereo: MTS (Stereo / Mono)
- SSM: Standard / News / Music / Movie / Custom
- Equalizer: 2 band
- Built in speakers: 20W

**FUNCTION**

- Languages: English / Spanish / French / Dutch / German / Italian
- Internal PC - OPS: N.A.
- CTOUCH Soundbar xt ready: N.A.

**Dimensions**

- Dimensions (mm): 1436.2 (W) x 891.2 (H) x 82.3 (D)
- Product weight (kg): 70 kg
- VESA mount (mm): 600 (W) x 400 (H)
- Green approvals: Lead free, RoHS compliant
- Regulatory approvals: CE, KC
- Thickness of safety glass: 4 mm

**Total cost of ownership**

- Service & warranty: 2 year (+ 1 year extra after registering)
- Power consumption (max): 200 W (in rated voltage)
- Power consumption sleep mode: < 0.5 W

**Product accessories- Included**

- Accessoires pack: Power cable, HDMI cable, remote + battery, touch pen, multi language manual
- Connection software: Shipped with one license
- Multi touch annotation software: Shipped with one license
- Gesture software: Yes, refer to CTOUCH manual

**Extras**

**CONNECTIVITY**

- OPS PC Module N.A.

**SOUND**

- CTOUCH Soundbar xt - 90 Watt: N.A.

**SUPPORT & TRAINING**

- Service Pack 4th, 5th & 6th year OnSite 10050105

**SOFTWARE**

- Windows 7, Windows 8: N.A.

**MOUNTING**

- CTOUCH WMT wall lift LOW - electric: 10080320
- CTOUCH WMT wall lift - electric: 10080300
- CTOUCH WMT mobile lift - electric: 10080301
- CTOUCH WMT tilt table - electric: 10080302

## Connectivity - Wired, wireless or integrated intelligence

No more hassling with cables. The OPS slot enables you to add a wireless mini pc that complies to a worldwide standard. CTOUCH OPS (Open Pluggable Specification) PC module brings you a powerful and reliable solutions with Intel i5 and i7 processing power. WiFi, Bluetooth and Intel WiDi makes any interaction with a CTOUCH display, a true experience.

## Sound - Experience sound in its unique way

The wireless CTOUCH Soundbar xt® is a robust and solid powertool, 90 watts of crystal clear sound. This soundbar comes standard on board with SPDIF Digital Audio, to give you true digital audio quality. In addition the CTOUCH Soundbar xt® is seamlessly merged within the design.

## Support and training - When you need it

All CTOUCH products are plug and play and are optimally intuitive and ergonomically designed. In case you might need a hand or support on site, we'll be there. CTOUCH also offers an extensive training program to get most out of your CTOUCH display. CTOUCH teams up with you.

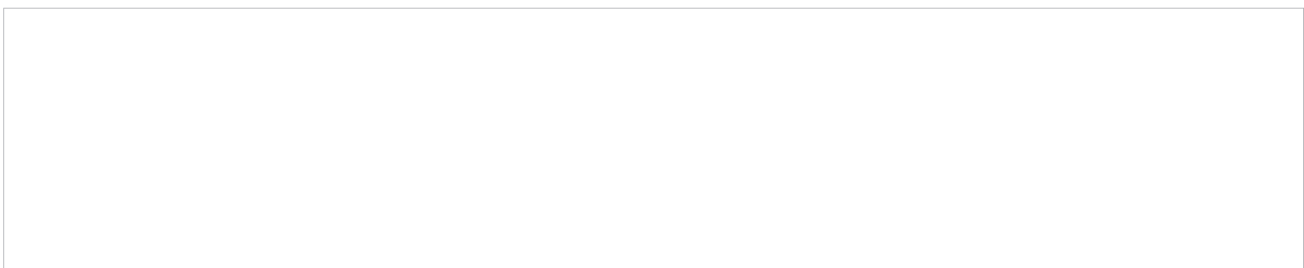
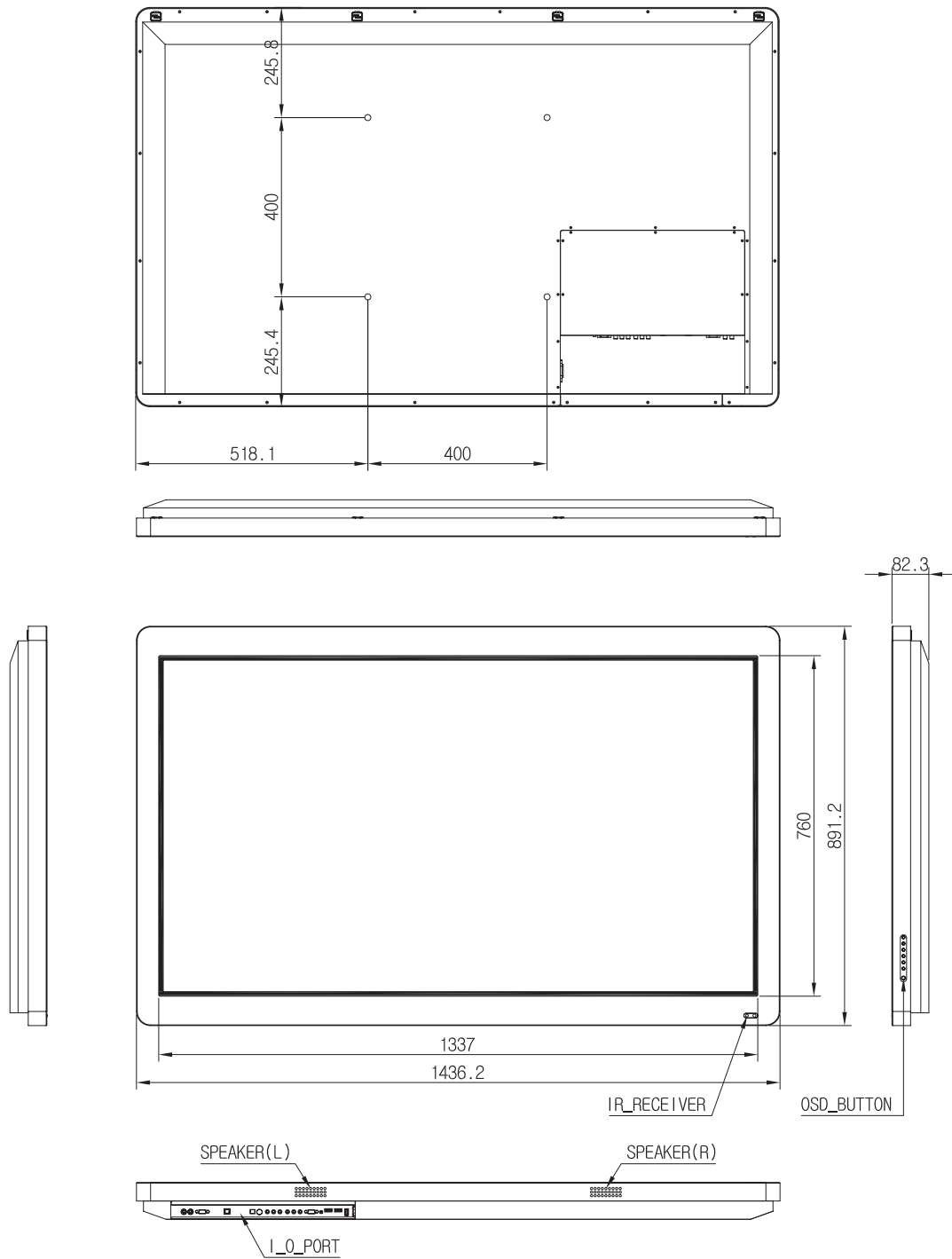
## Software - Gain access to proven software packages

Free or nearly free software packages are included with every CTOUCH display. Annotation software, mobile device connection software and educational software are part of the deal. Let's get the best results together.

## Mounting - Smooth, easy operation suits all ages

Whether you require a fixed wall mounting solution, an electrically adjustable or mobile solution or even a table solution, the CTOUCH Wallom always offers you a perfect fit. CTOUCH Wallom has a unique CTOUCH design with ergonomics at high standard. Easy to install and to operate.





All rights reserved. CTOUCH products and services mentioned herein as well as their respective logos are trademarks or registered trademarks of CTOUCH Europe B.V.. All other product and service names mentioned are the trademarks of their respective owners.